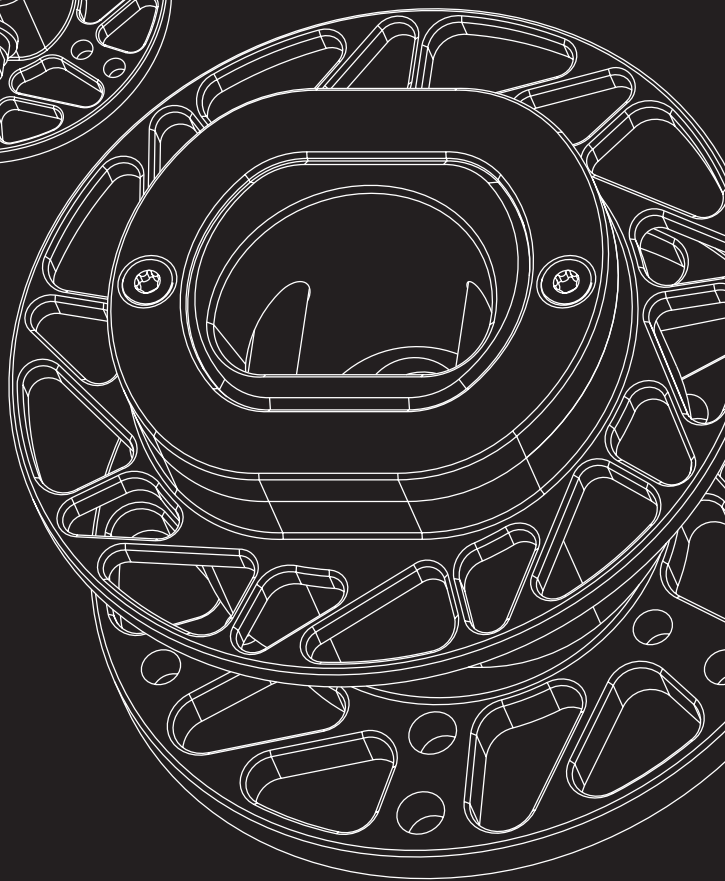
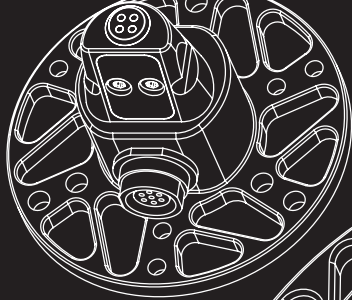


**CFR**



***USB QUICK RELEASE KIT***

For info or support contact us at

**[hello@cubecontrols.com](mailto:hello@cubecontrols.com)**

or visit us at

**[www.cubecontrols.com](http://www.cubecontrols.com)**

## **CONTENTS**

1 QRX wheel side

1 QRX base side

6x M5x10mm torx screws

6x M5x12mm hex bolts

TX25 L torx key

TX10 L torx key

Cable connector

5x 0.15mm shims

5x 0.10mm shims



## SPECS

7075 aircraft grade ergal main female and male body

Conical self-centering system with spring loaded locking steel rods

No play adjustable wedge system

Integrated USB electrical connector with gold plated spring contacts

Fits any 50.8/70mm systems

Compatible with the standard Cube Controls to USB coiled cable

Weight: 263g main female body, 97g male spigot

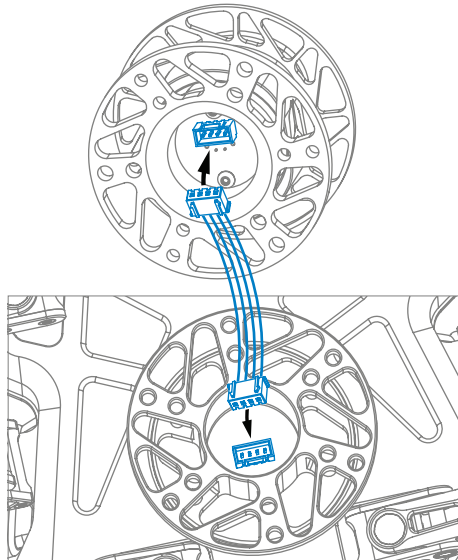
## WHEEL SIDE INSTALLATION

Each QRX kit comes with all the hardware and wiring needed for its installation.

There are two types of wheel connection available: one with a 4-pin wire connector, and another with a 4-pin socket on the wheel side.

The 4-pin socket needs to be connected to the cable with the connector on both ends: simply plug one end of the cable into the female connector of the wheel hub, and the other one into the female connector of the QRX body.

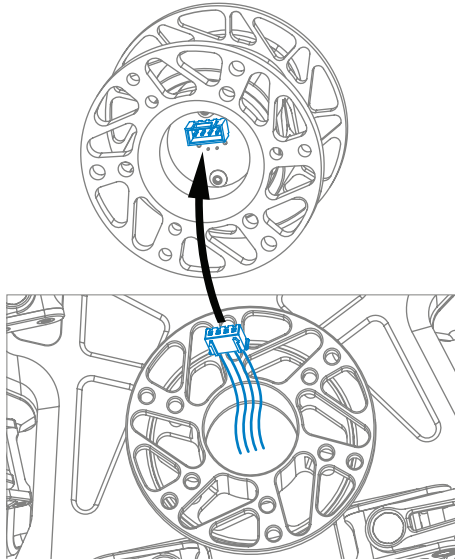
### 4 PIN SOCKET



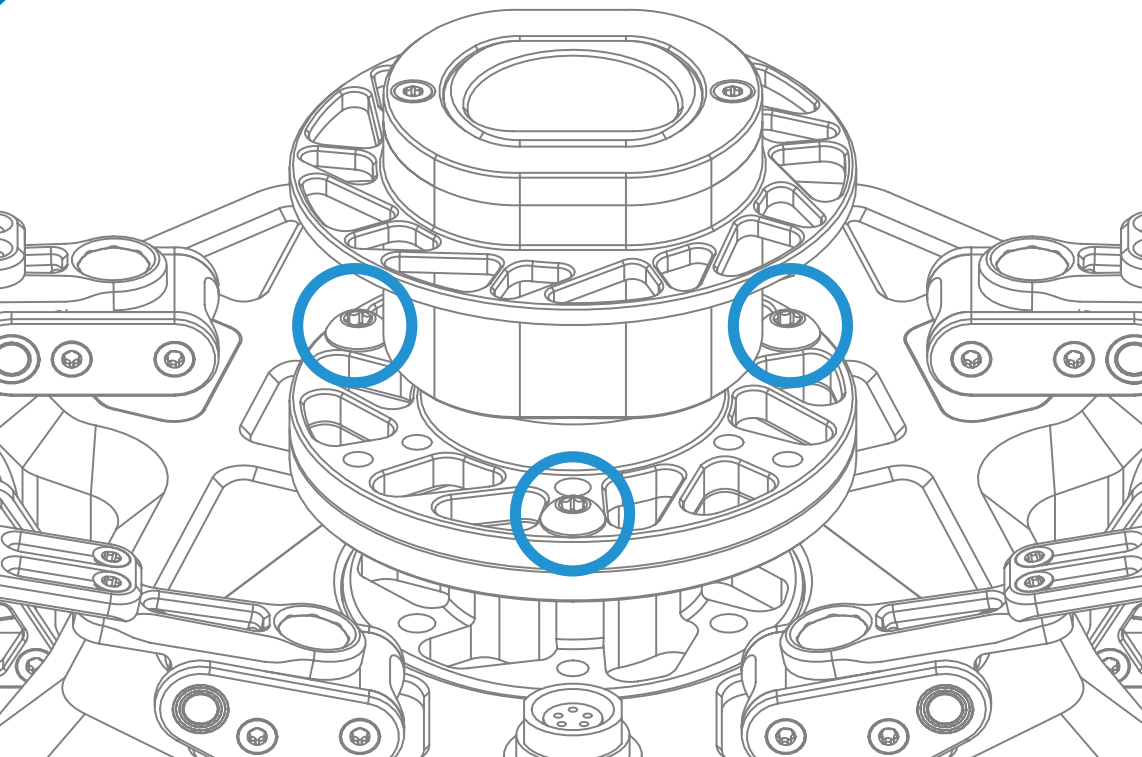
The 4-pin wire connector can be installed directly on the QRX's main body on the mating female socket.

To connect it you might need to use the small tweezers provided with the wheel.

#### 4 PIN WIRE CONNECTOR



Now carefully align the QRX body with the steering wheel hub making sure to not pinch the cables between it and the wheel hub, and secure it using the three torx screws provided, by using the non-threaded holes as in the drawing:



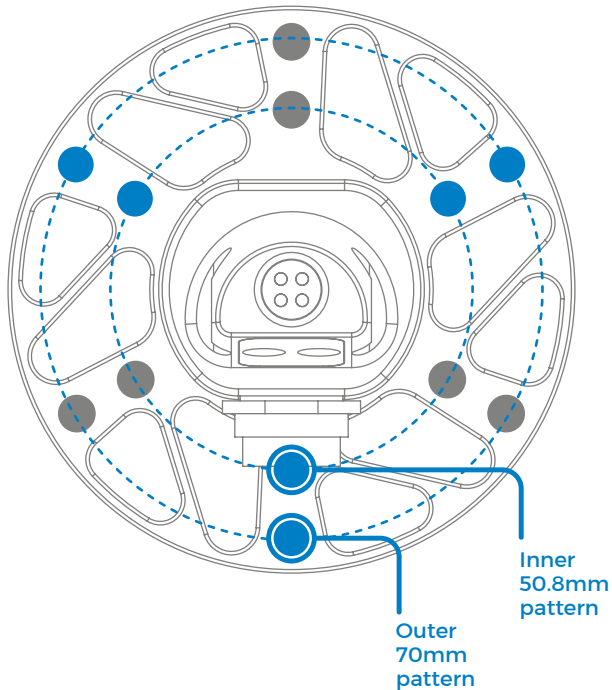


## BASE SIDE INSTALLATION

QRX male spigot features a universal 50.8 and 70mm bolt pattern as in the drawing below:

**IN GREY: NON THREADED HOLES**

**IN BLUE: M5 THREADED HOLES**



Check the compatibility with your servo base adapter manufacturer for further details.

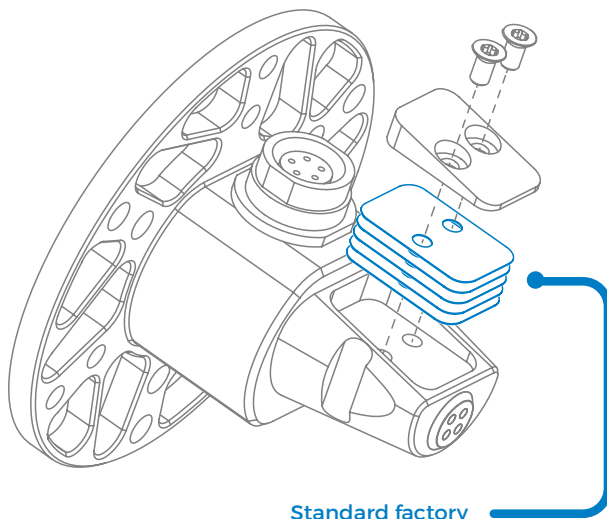
## SHIMMING

The QRX male spigot has a locking wedge that can be adjusted in height, used to eliminate any possible play by installing different shims.

The factory setting is the following: 3x 0,15mm and 2x 0,10mm.

However, in some cases due to manufacturing and assembly tolerances, one additional 0,10mm or 0,15mm shim might need to be installed.

To access the shims slot, remove the top screws with the provided small torx L key and install the shims as highlighted in blue:



**Standard factory  
preset:  
3X 0,15mm  
2X 0,10mm**

# NOTE

---

---

---

---

---

---

---

---

---

---

---

---

---

---

---

---

---

---

---

---





[WWW.CUBECONTROLS.COM](http://WWW.CUBECONTROLS.COM)